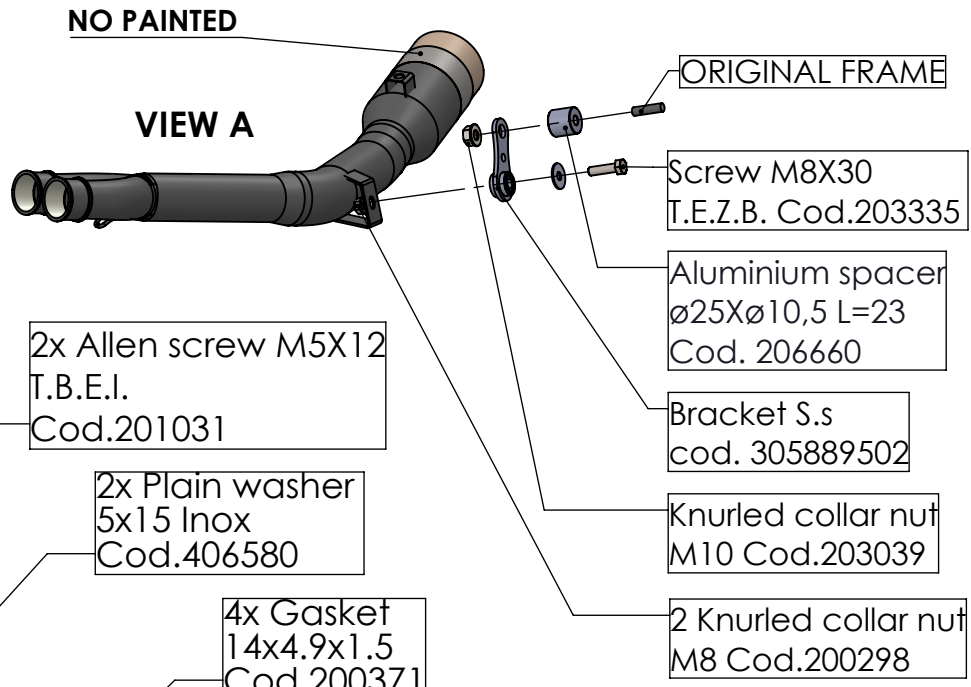
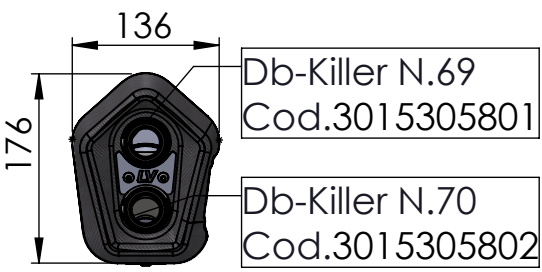


***N.B. WARNING! FOR INSTALLATION ON MODEL 2022 -->**
 it is essential to use the bracket cod.3015305501 on the manifold to avoid damaging the original fairing.



LV-12 silencer RHS
 S.s. Black
 Cod.3015305485

Aluminium spacer
 ø27X8,5 Cod. 204321

Aluminium spacer
 ø25-18 L=40 ø8,5
 Cod. 202499

2x Allen screw M5X12
 T.B.E.I.
 Cod.201031

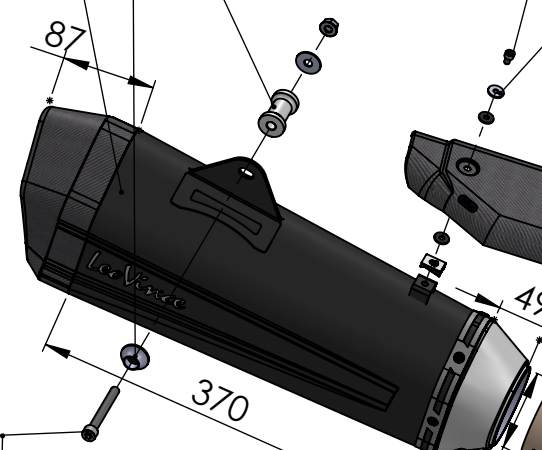
2x Plain washer
 5x15 Inox
 Cod.406580

4x Gasket
 14x4.9x1.5
 Cod.200371

Carbon cover
 cod. 0815300021

2x Mounting
 plate M5 Z.B.
 Cod.204555

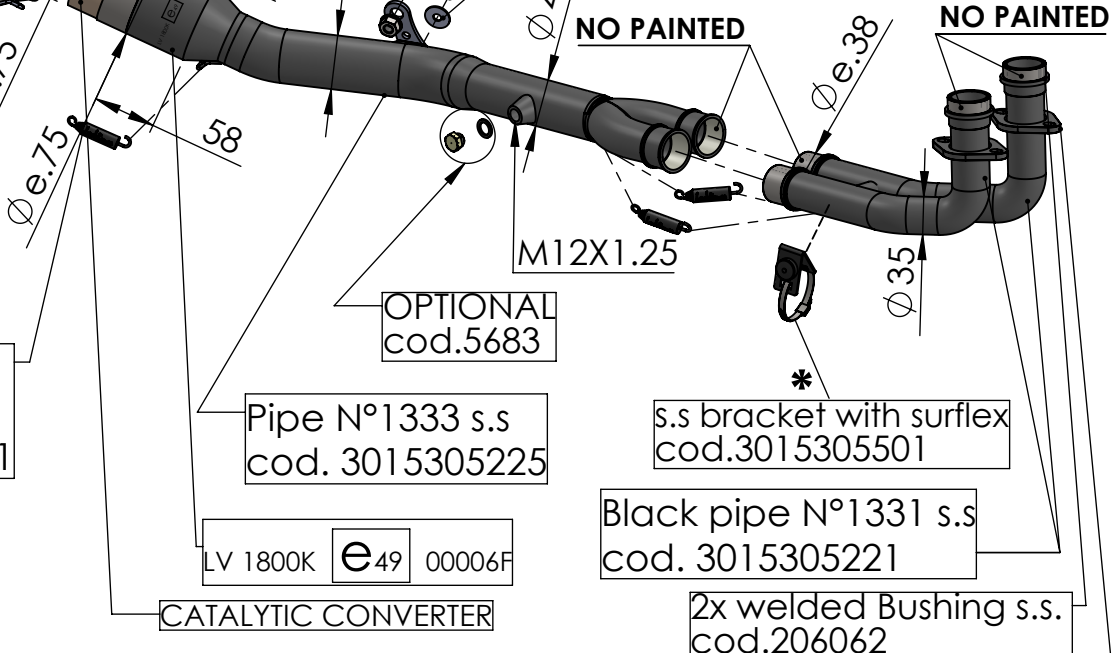
2X Plain washer ϕ 8x ϕ 24
 Cod.200321



LV LV12 e_{49} 00007G
 E_{49} 92R-02 0001

3x Short helical
 spring tensile
 cod. 303949001

Allen screw M8X65
 T.C.E.I.Z.B.
 Cod.201222



LV 1800K e_{49} 00006F

Black pipe N°1331 s.s
 cod. 3015305221

2x welded Bushing s.s.
 cod.206062

2x Flange 25B s.s. sp.6mm
 cod.200560

ART. 15305FBK

YAMAHA T-MAX 560/TECH MAX

it is advisable to optimize the carburation by remapping the stock ECU or by adopting an additional ECU unit.

WARNING

SLIP-ON - LV-12 - FULL BLACK - APPROVED