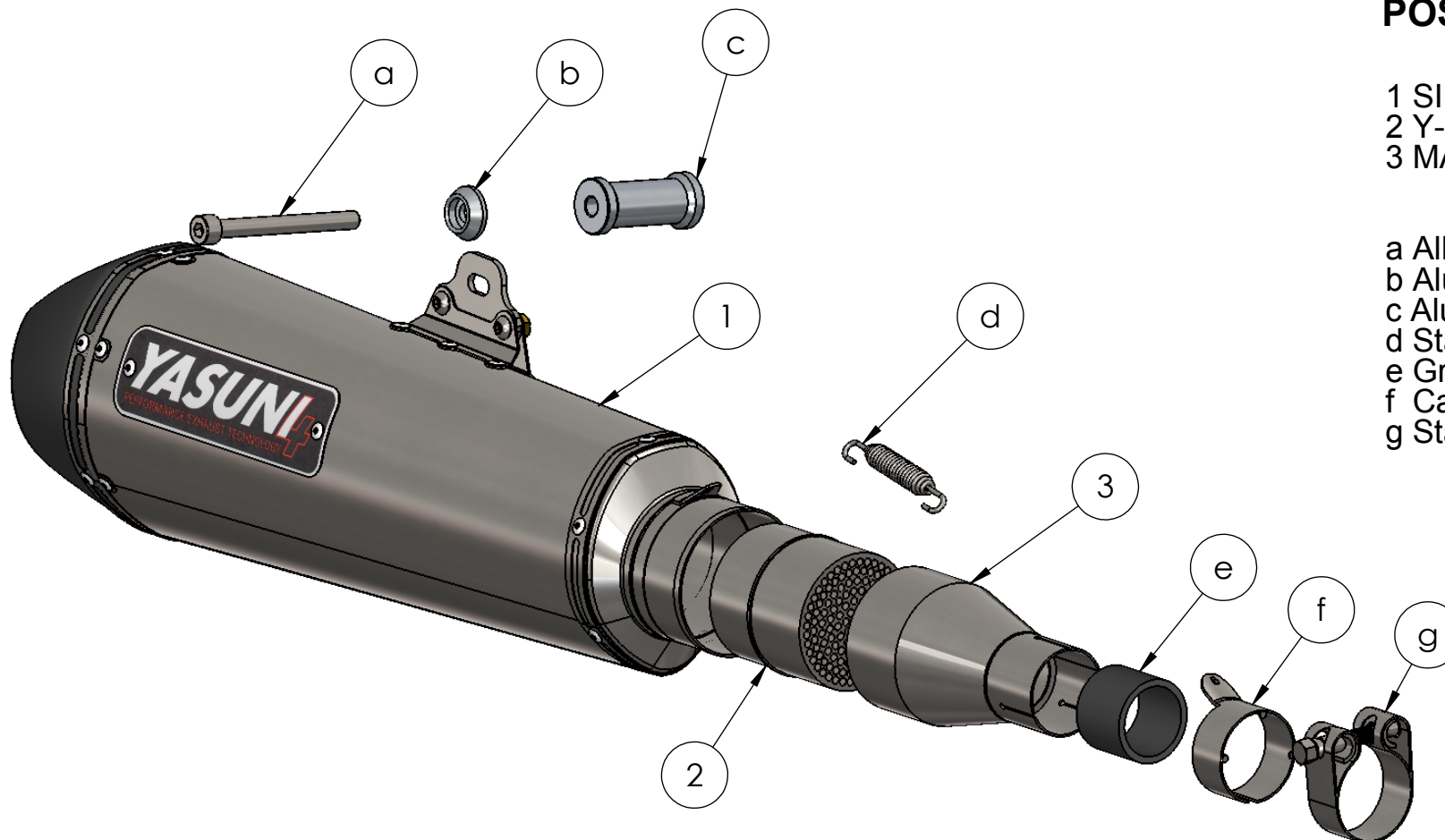




# TUB 451

APPLICABLE PIAGGIO BEVERLY 125



## POSITIONS

- 1 SILC-120
- 2 Y-CAT-001
- 3 MANIFOLD

- a Allen screw 8x80
- b Aluminium cap
- c Aluminium spacer cap
- d Stainless spring
- e Graphite bush
- f Cap spring bracket
- g Stainless clamp