

FITTING INSTRUCTIONS

PRECAUTIONS:

Before carrying out any work on the machine or its exhaust, ensure that the temperature of the power unit and exhaust will cause no harm either to the operator or to parts which are not heat resistant (such as fairing, hoses, sleeves etc)

FITTING;

1. Remove the OE silencer
2. Fit the LeoVince silencer, aligning the header pipe with the exhaust flange on the power unit, and remembering to fit the sealing gasket when available. Partially tighten the two nuts on the mounting studs to allow a degree of realignment. This is made possible by the clearance between the flange and the mounting studs on the power unit.
3. Fit the brackets supplied, following the indications on the drawing enclosed, where you will see clearly described the correct relationship between the various spacers, washers (when required), and fasteners
4. Tighten up all the fasteners, starting with those on the mounting flange at the power unit.
5. Start the motor, wait a few minutes for it to reach operating temperature, and check that there are no gas leaks.

NB: after approximately 100 Km, check all the fasteners.

MAINTENANCE:

From time to time, check all the brackets and fasteners, which could be affected by use (sound-deadening material, seals and other rubber parts) and replace them periodically. The silencer may be cleaned using gasoline, diesel oil or alcohol. Absolutely avoid the use of any kind of solvent.

IT IS FORBIDDEN to make any modifications to silencers. Whatever form this may take, SITO GRUPPO INDUSTRIALE declines any responsibility for defects, problems, or malfunction arising from the use of any product which has been modified or tampered with.

TECHNICAL DRAWING

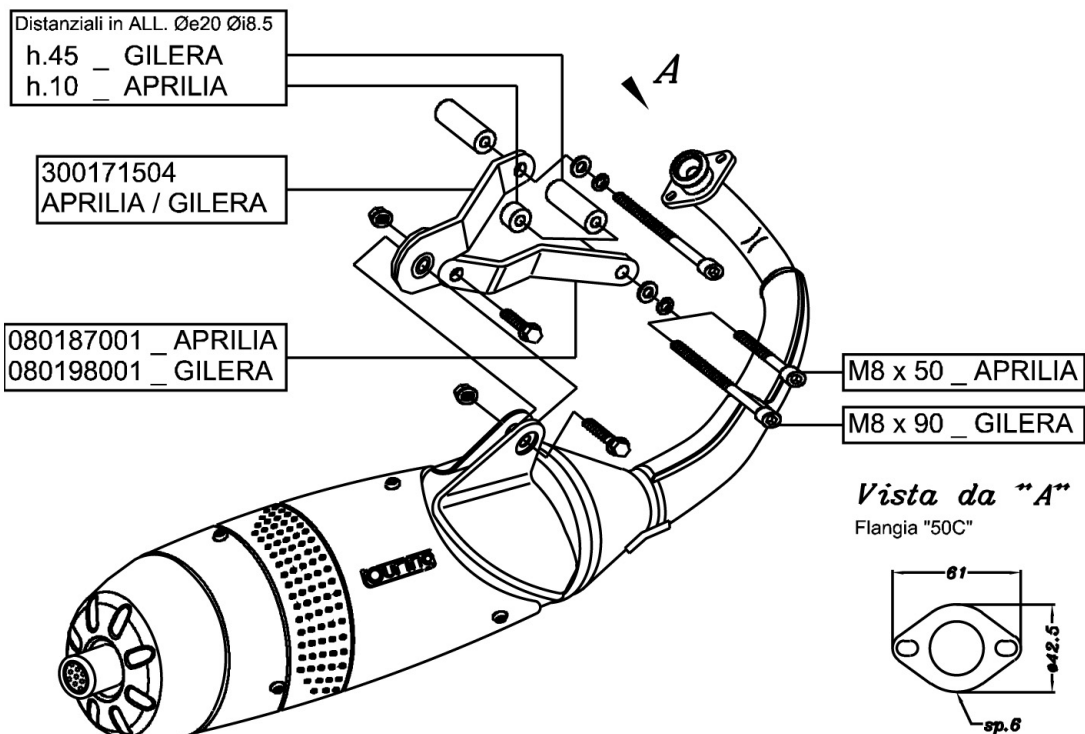
I _ N.B.: PER IL MONTAGGIO DI QUESTO SILENZIATORE SU **APRILIA SR 50 R FACTORY** OCCORRE TAPPARE O ELIMINARE IL TUBO (S.A.I. - Secondary Air Injection) CHE INIETTA L'ARIA NELLO SCARICO ORIGINALE E, CON LE PINZE, RIMUOVERE IL NOTTOLINO DI DIAMETRO 12mm - LUNGHEZZA 55mm POSTO SOTTO IL TELAIO DELLO SCOOTER.

GB _ NOTE: TO ASSEMBLE THIS SILENCER TO **APRILIA SR 50 R FACTORY**, PLUG IN OR REMOVE THE PIPE (S.A.I. - Secondary Air Injection) INJECTING AIR INTO THE ORIGINAL EXHAUST AND THEN, USING THE PLIERS, REMOVE THE PAWL (12mm DIA., 55 mm long) FROM UNDER THE SCOOTER FRAME.

F _ N.B.: POUR MONTER CE SILENCIEUX SUR **APRILIA SR 50 R FACTORY**, BOUCHER OU BIEN ÉLIMINER LE TUYAU (S.A.I. - Secondary Air Injection) QUI VA INJECTER L'AIR DANS L'ÉCHAPPEMENT D'ORIGINE ET PAR LA SUITE, AU MOYEN DES PINCES, ENLEVER LE CLIQUET DIAMÈTRE 12mm, LONG DE 55mm, SITUÉ AU-DESSOUS DU CHÂSSIS DU SCOOTER.

D _ NB: BEI DER MONTAGE DIESES SCHALLDÄMPFERS AM **APRILIA SR 50 R FACTORY** IST DER LUFTEINLASS-SCHLAUCH DER ORIGINALAUSPUFFANLAGE (S.A.I. - Secondary Air Injection) ZU VERSCHLIESSEN ODER ZU ENTFERNEN UND DIE KLINKE (DURCHMESSER 12mm, LÄNGE 55mm), DIE SICH UNTER DEM RAHMEN DES **APRILIA SR 50 R FACTORY** BEFINDET, MIT EINER ZANGE ZU ENTFERNEN.

E _ NOTA: PARA ARMAR ESTE SILENCIADOR EN **APRILIA SR 50 R FACTORY**, ES NECESARIO TAPAR O ELIMINAR EL TUBO (S.A.I. - Secondary Air Injection) QUE INYECTA EL AIRE EN EL ESCAPE ORIGINAL Y, CON LAS PINZAS, EXTRAER LA CLAVIJA DE DIÁMETRO 12mm - LONGITUD 55mm PUESTA DEBAJO DEL CHASIS DEL SCOOTER.



FITTING INSTRUCTIONS ROLLERS AND SPRINGS

If you wish to take advantage of the characteristics of this product, which provides a power increase over a wide range, with an improvement in acceleration and in top-end, we recommend that you carry out the following modifications to the standard transmission system:

1. Remove the outer primary cover on the left hand side, to obtain access to the transmission assembly (fig 1)
2. Remove the centrifugal rollers from the interior of the driving half-pulley (front variator), using the components included with the kit (art. 4659 – gr 4,8). Take care to locate the rollers as shown in fig 2. Change the return springs on the inside of the driven half-pulley (clutch), using the components included with the exhaust kit (PIAGGIO MEDIUM RED) as indicated in fig 3 or fig 4.

Important: the roller kit to fit the variator drive included in the pack is specifically designed for use on an unmodified engine, which is original in every respect.

If all these components are changed, they will affect the performance of the machine, in the same way as the topography of the area where it is to be used, or the weight of the rider. If detailed tuning of the transmission is called for, we offer the following range of rollers of different weights:

Art. 4659 D x L (mm) 19 x 15,5

gr.

3,7	4,0	4,3	4,8	5,3	5,7	6,0	6,5	6,8	7,2	7,5	7,8	8,3	8,7
-----	-----	-----	-----	-----	-----	-----	-----	-----	-----	-----	-----	-----	-----

Our technicians are at your disposal for further clarification and suggestions. We must remind you that tuned power units can only be used for COMPETITION PURPOSES ON A CLOSED CIRCUIT.

DISEGNO TECNICO RULLI E MOLLE - TECHNICAL DRAWING ROLLERS AND SPRINGS CROQUIS TECHNIQUE MASSELOTTES ET RESSORTS - TECHNISCHE ZEICHNUNG ROLLEN UND FEDERN DISEÑO TÉCNICO RODILLOS Y MUELLES

